

Flange Type B MTP/MPO Adapter Datasheet

Widely used in trunk cabling and cassettes.



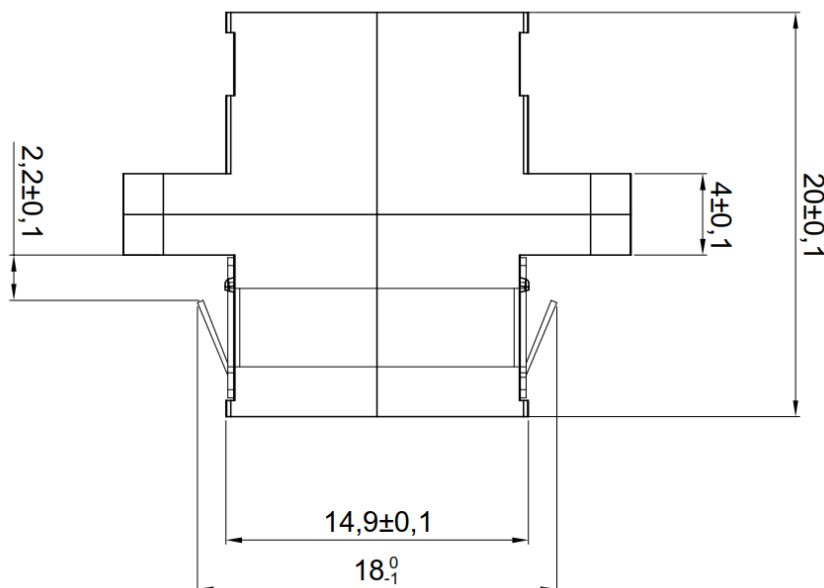
• Description

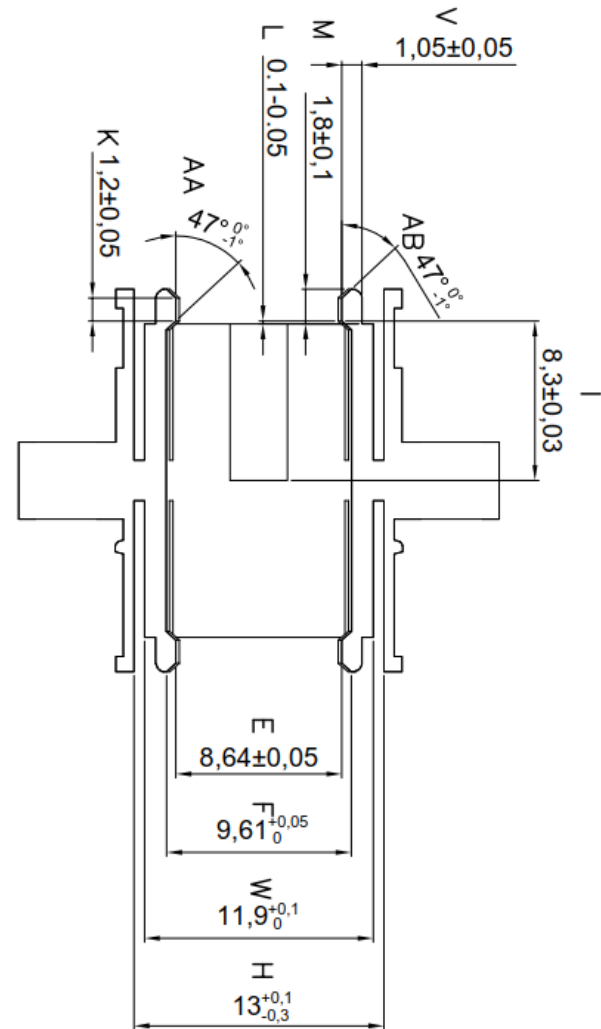
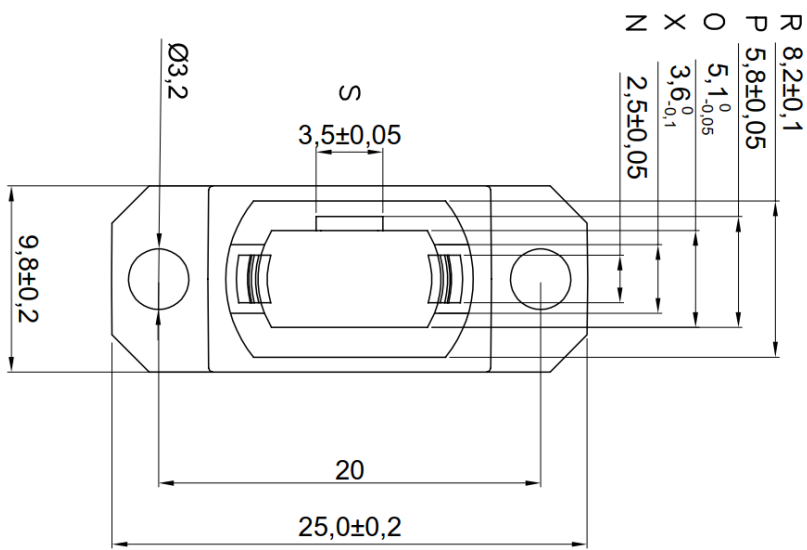
OPTICO grey colored(RAL7038) MTP/MPO adapter has two types as key-up to key-down and key-up to key-up. It provides the connection between cable to cable or cable to equipment in the MTP/MPO style. It works for any MTP Connector from 4 fiber to 72 fiber, widely used in trunk cabling and cassettes. This adapter meets appropriate standards and is perfect for your parallel optics and MTP adapter needs.

• Features

- Insertion loss $\leq 0.2\text{dB}$
- Durability: >500times
- SM/MM Type A/B are available
- Operating Temp: $-40\sim 85^{\circ}\text{C}$
- High reliability and stability
- Sleeve: Ceramic
- CE/ISO/ROHS Certificated

• Structure Drawing(Unit: mm):





• Specifications(Unit: mm):

Type	Mode	Housing color	Housing material
Flange Flangeless	Single-mode PC	Black/Grey(RAL7032/7038)	PEI
	Single-mode APC	Green	PEI
	Multimode	Aqua	PEI
		Violet	PEI

• Tips:

Due to the COVID-19, sorry that you and our team couldn't visit face to face with each other. In order to make the customers know us more, please visit our VR factory, it is just like you were really standing in our factory.

OPTICO Fiber Assemblies Production Line VR :<https://www.linked-reality.com/company/15555/en>